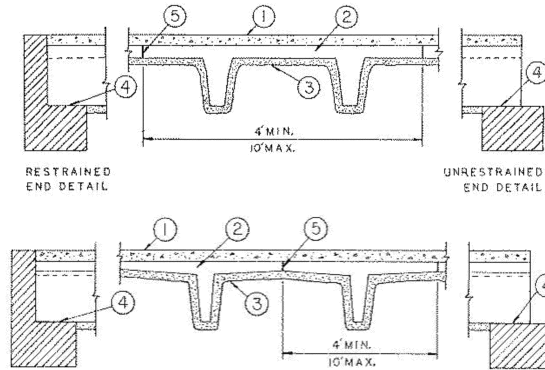


Design No. J725
Restrained Assembly Rating — 2, 3 & 4 Hr
Unrestrained Assembly Rating — 2, 3 & 4 Hr
Load Restricted for Canadian Applications — See Guide BXUV7



1. **Concrete Topping** — 3000 psi compressive strength. Min topping thickness, 1 in.
 Thickness of Spray-Applied Fire Resistive Materials Required On Flanges
 For Restrained and Unrestrained Assembly Ratings

Min Total Thkns of Lightweight Concrete Unit Weight 110 to 120 pcf	Rating		
	2 Hr	3 Hr	4 Hr
1-1/2 in.	1 in.	1-9/16 in.	2 in.
2 in.	3/4 in.	1-1/4 in.	1-3/4 in.
2-1/2 in.	1/2 in.	1 in.	1-1/2 in.
3 in.	5/16 in.	3/4 in.	1-3/16 in.
3-1/2 in.	1/4 in.	1/2 in.	15/16 in.
4 in.	-	5/16 in.	11/16 in.

Min Thkns of Normal Weight Concrete Topping on a Min 2 In. Thk Lightweight Concrete Base Unit Weight of Topping 147 to 153 pcf	Rating		
	2 Hr	3 Hr	4 Hr
1 in.	7/16 in.	7/8	1-1/4 in.
1-1/2 in.	5/16 in.	3/4 in.	1-1/16 in.
2 in.	1/4 in.	9/16 in.	7/8 in.

2. **Precast Concrete Units*** — Lightweight concrete. Single or double stemmed units bearing the UL Classification Marking containing Design Nos. J945 or J948 and having a min slab thickness of 1-1/2 in.; or bearing the UL Classification Marking J705. See Precast Concrete Units Category for names of manufacturers.
3. **Spray-Applied Fire Resistive Materials*** — Applied by mixing with water and spraying in one or more coats, to a final thickness as shown in the above illustration and in the tables described in Items 1 and 3, to concrete surfaces which must be clean and free of dirt and oil. Min avg and min ind density of 15 pcf for the Types 304 and 404. For method of density determination, see Design Information Section.
- Thickness of Spray-Applied Fire Resistive Materials Required on Stems
 For Restrained and Unrestrained Assembly Ratings

UL Classification Marking on Precast Concrete Unit	Rating		
	2 Hr	3 Hr	4 Hr
J945	5/8 in.	1 in.	1-3/8 in.
J705-A	11/16 in.	1-1/16 in.	1-7/16 in.
J705-B	5/8 in.	7/8 in.	1-3/8 in.
J705-C	1/2 in.	11/16 in.	1-1/4 in.
J705-D	5/16 in.	1/2 in.	1-1/16 in.
J705-E	5/16 in.	5/16 in.	7/8 in.
J705-F	5/16 in.	5/16 in.	9/16 in.
J948	-	3/8 in.	3/4 in.

ISOLATEK INTERNATIONAL —Types 304 and 404.

4. **Minimum Bearing** — 3 in.
 5. **Weld Plates** — Optional.
 *Bearing the UL Classification Mark